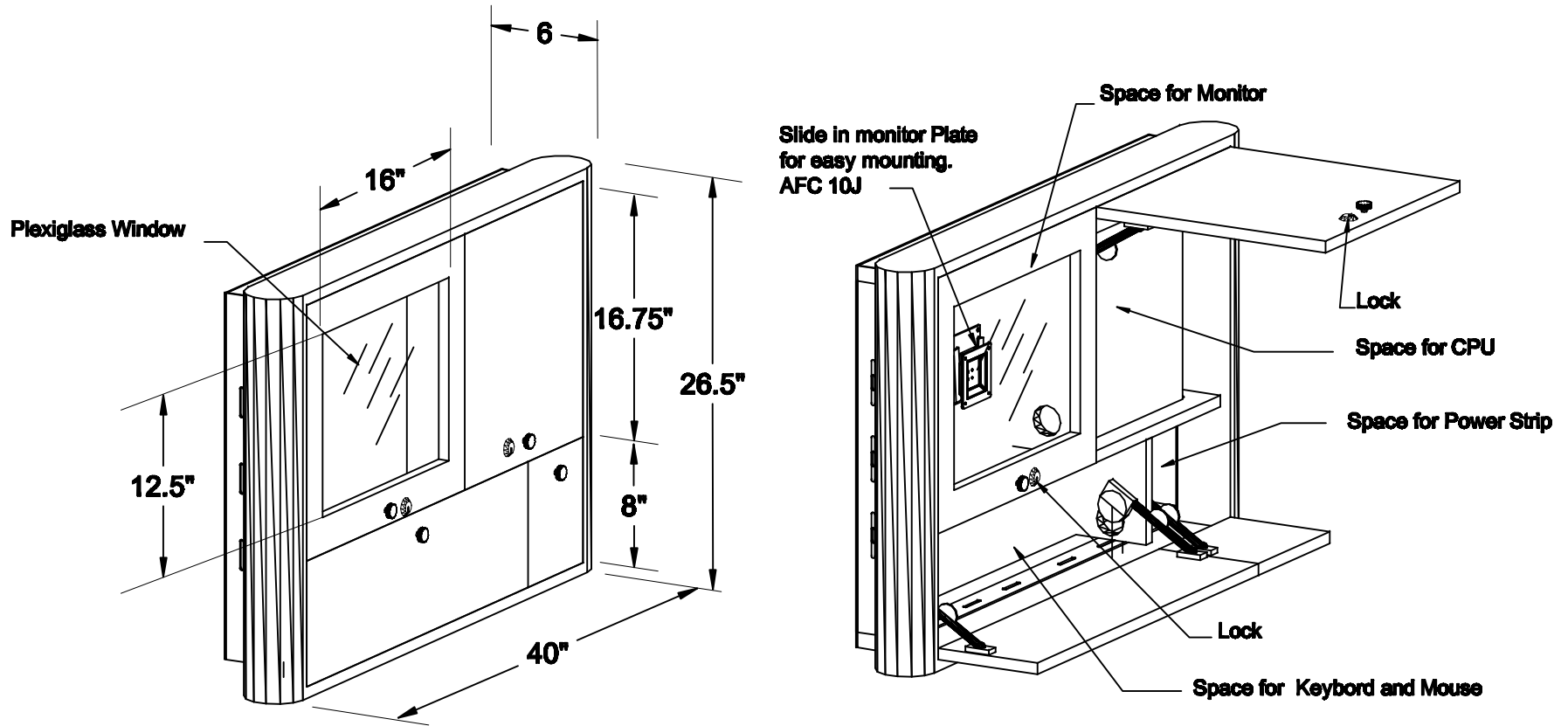


ISOMETRIC VIEW



NOTES:	MATERIAL:	DRAWN BY: KH	DATE: 10-08-10	DESCRIPTION:	
	TOLERANCES UNLESS OTHERWISE SPECIFIED FRACTIONAL ±1/64 2 PLC. DEC. ±.01 3 PLC. DEC. ±.001 ANGULAR FINISH	APPROVED		I-CENTER	
		ENG:		USED ON:	
		MFG:		PATH: L:\Fin.Assemb\I-CENTER\IR200	
		QA:		PDF NAME: IR200-004	REV: SIZE A
		NOT TO SCALE	SHEET: 1 OF 1		