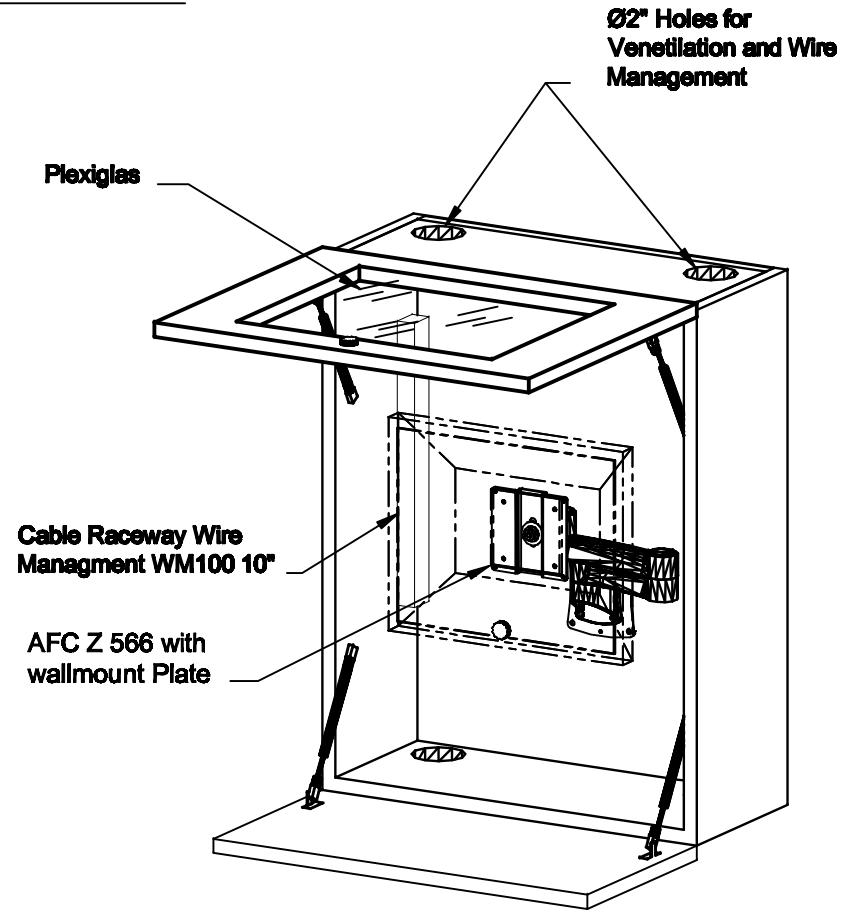
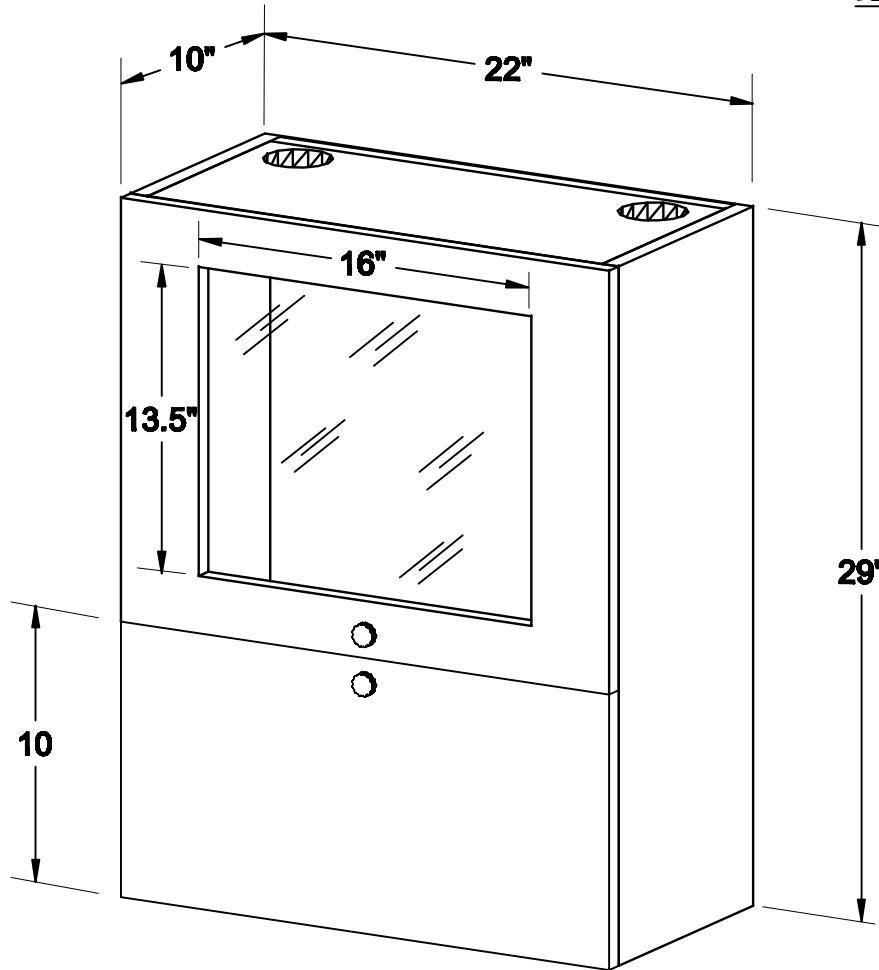


**ISOMETRIC VIEWS**



**NOTES:**

Concept drawing only  
Final design may vary  
\* Specs of the monitors to be provided prior to production

**MATERIAL:**

TOLERANCES UNLESS OTHERWISE SPECIFIED  
FRACTIONAL ±1/64  
2 PL. DEC. ±.01  
3PL. DEC. ±.001  
ANGULAR  
FINISH

**DRAWN BY: KH**

**DATE: 03/25/10**

**DESCRIPTION:**

**I-CENTER**

**APPROVED**

ENG:

MFG:

QA:

**USED ON:**

**PATH:**

L:\Fin.Assemb\I-CENTER\IR100

**PDF NAME:**

IR100-023

REV: SIZE  
A

**NOT TO SCALE**

**SHEET: 1 OF 1**