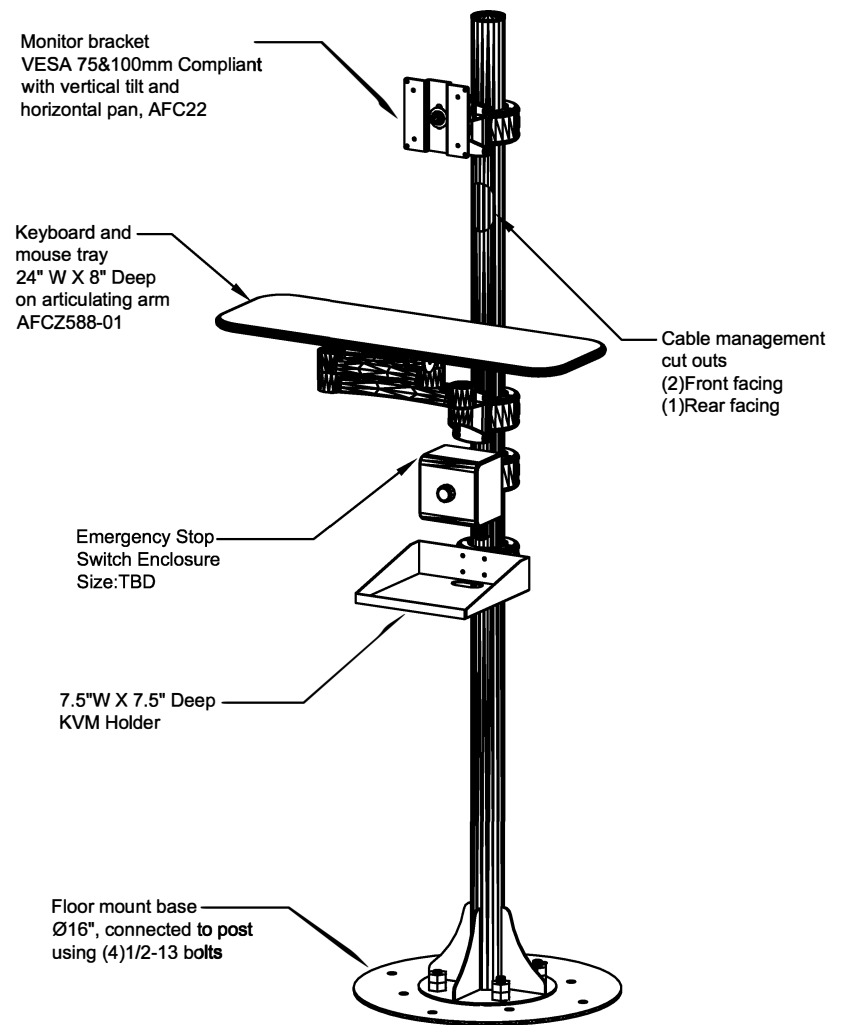
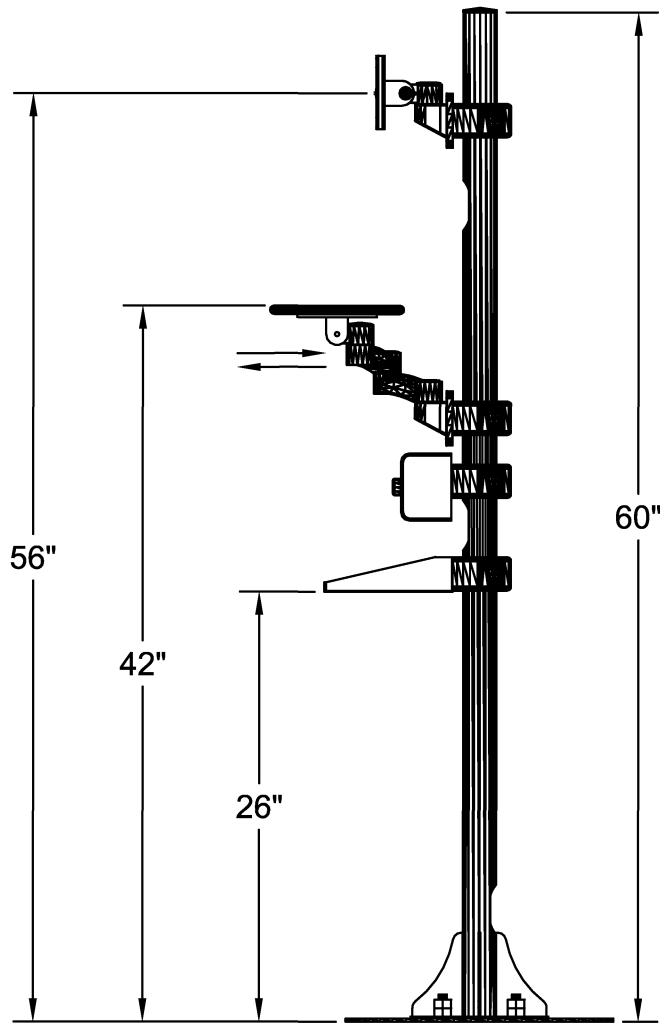


All individual components can be independently rotated 360° and are manually height adjustable.



NOTES :

MATERIAL :

AS NOTED ABOVE

TOLERANCES UNLESS OTHERWISE SPECIFIED

2 PLC. DEC. ±.50

DRAWN BY : VGM/PR

DATE: 05/19/11

A P P R O V E D

ENG :

MFG :

QA :

SCALE : N.T.S.

SHEET : 1 OF 1

DESCRIPTION :

FLOOR POST-200 series

USED ON :

PATH :

PDF NAME: FP200-1F-1RKB-1SH-02

REV: 2