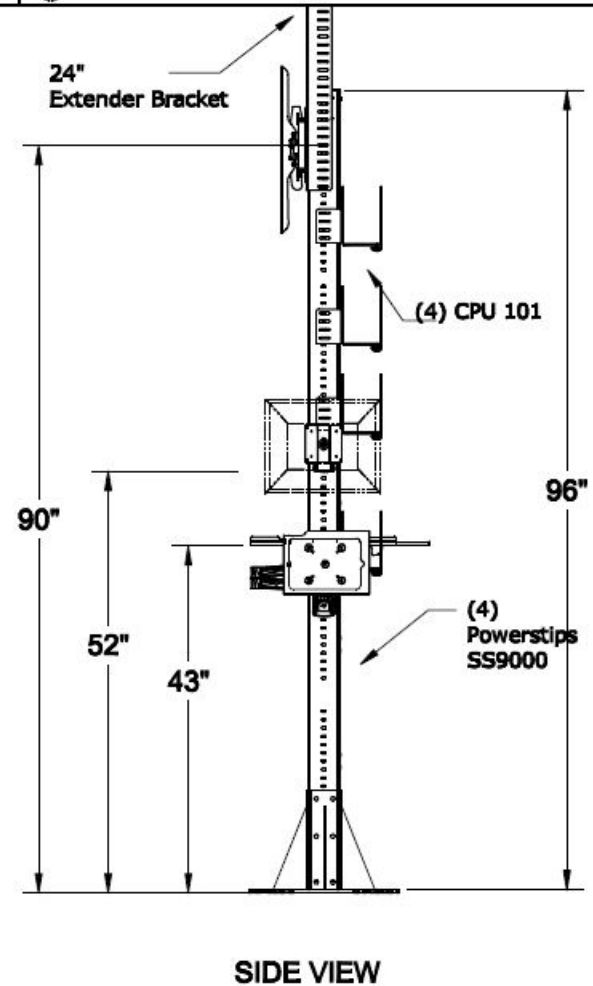


**ISO VIEW**



**SIDE VIEW**

NOTES :

**CONCEPT:**  
**FINAL DESIGN MAY VARY**

MATERIAL :

AS NOTED ABOVE

TOLERANCES UNLESS OTHERWISE SPECIFIED

FRACTIONAL ± 1/64  
2 PLG. DEC. ± .01  
3PLG. DEC. ± .001  
ANGULAR ± .5°  
FINISH  $\nabla$

DRAWN BY: YE

DATE: 2/21/19

DESCRIPTION :

**FLOOR MOUNT**

A P P R O V E D

USED ON :

ENG :

MFG :

QA :

PATH :

PDF NAME:

**FM96\_3255\_2F\_KB84Z\_IPAD\_4C\_01**

REV: SIZE  
A

SCALE : **N.T.S.**

SHEET : 1 OF 1