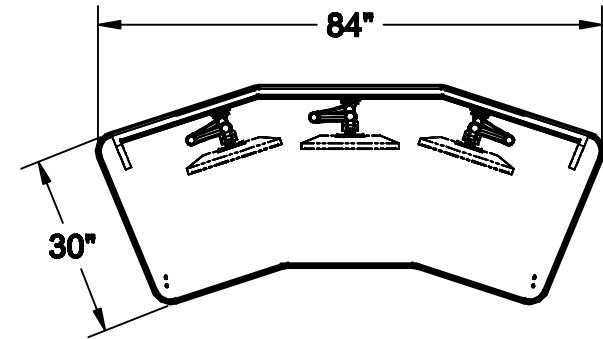
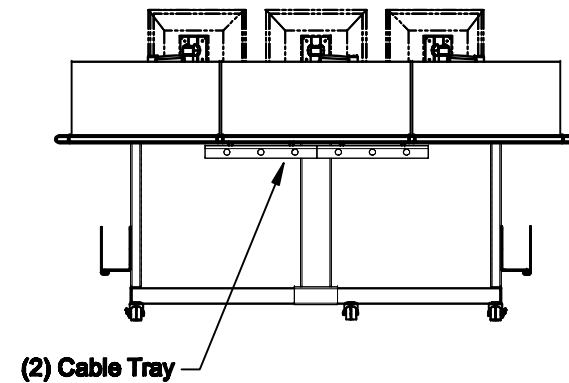


**ISOMETRIC VIEW**



**TOP VIEW**



**REAR VIEW**

**NOTES :**

**MATERIAL :**

**DRAWN BY: YN /LV**

**DATE: 07/12/16**

**DESCRIPTION :**

**Smart Focus\**

**APPROVED**

**SKU NUMBER :**  
**772578**

**TOLERANCES UNLESS OTHERWISE SPECIFIED**

FRACTIONAL ±1/64  
2 PLC. DEC. ±.01  
3PLC. DEC. ±.001

**ANGULAR**  
**FINISH**



**ENG :**

**MFG :**

**QA :**

**PATH :**  
**V.Assy\Ergonomic Consoles\Focus\**

**PDF NAME :**  
**772578\_SmartFCS\_8430\_01**

**NOT TO SCALE**

**SHEET : 1 OF 1**

**REV/ SIZE**  
**02 A**