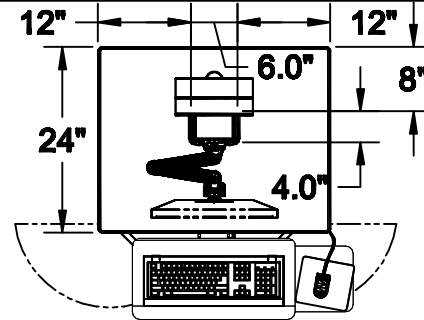


AFCZ566 Monitor Holder VESA 75/100 Compliant on Slider on WM Track

CPU102 CPU Holder

Ø2" Grommet Hole

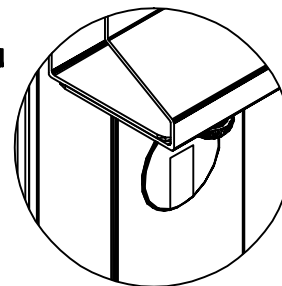


TOP VIEW
SCALE: 1/2" = 1' - 0"

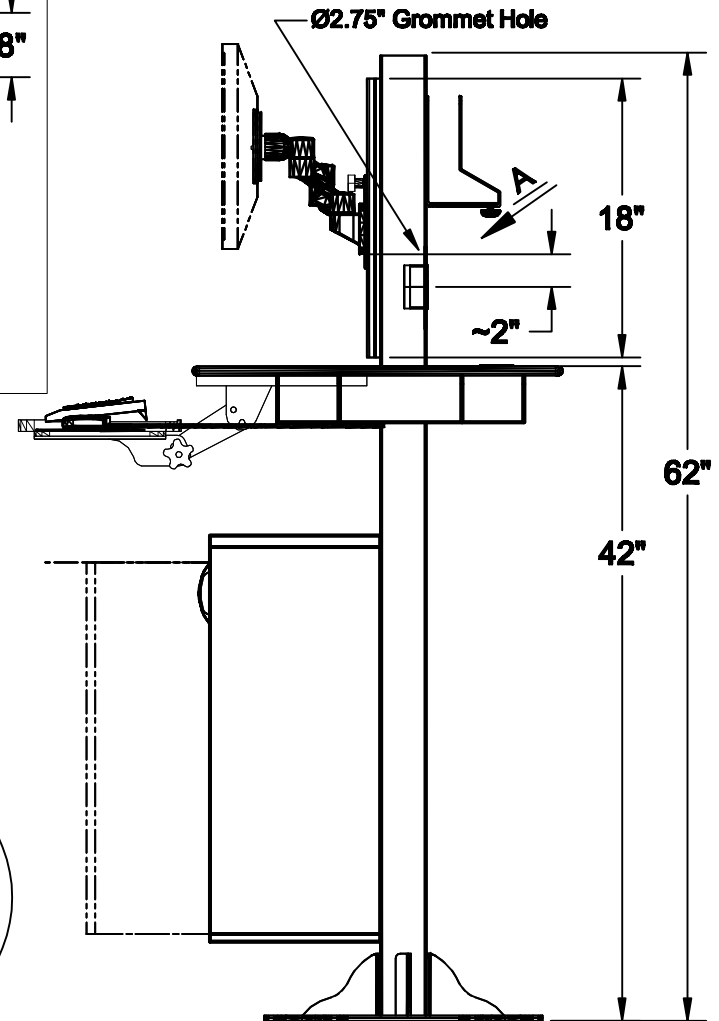
Phenolic Shelf * (Enforced to Hold 50lbs on each Side)

KA3656/TR2000 Keyboard Tray (not Completely Retractable) w/Slide out Mouse Tray

Metal Cabinet 26"Wx12"Dx26"H



VIEW A



SIDE VIEW

Base Footprint: 18"x18"

Base Bolted to Floor

ISOMETRIC VIEW

NOTES:
* Shelf has to be mount on the column from top before the track.

MATERIAL:

TOLERANCES UNLESS OTHERWISE SPECIFIED

FRACTIONAL ±1/64
2 PLC. DEC. ±.01
3PLC. DEC. ±.001
ANGULAR
FINISH



DRAWN BY: BD

DATE: 4/1/15

DESCRIPTION:

Floor Mount

SKU NUMBER:
772453

PATH:
VFin.Assy\CartsSystem\Floor Mount\

PDF NAME:
FM62_FZ_Sh_Kb_Cab_C_01

REV: SIZE
A

APPROVED

ENG:

MFG:

QA:

SCALE: ~ 1" = 1' - 0"

SHEET: 1 OF 1