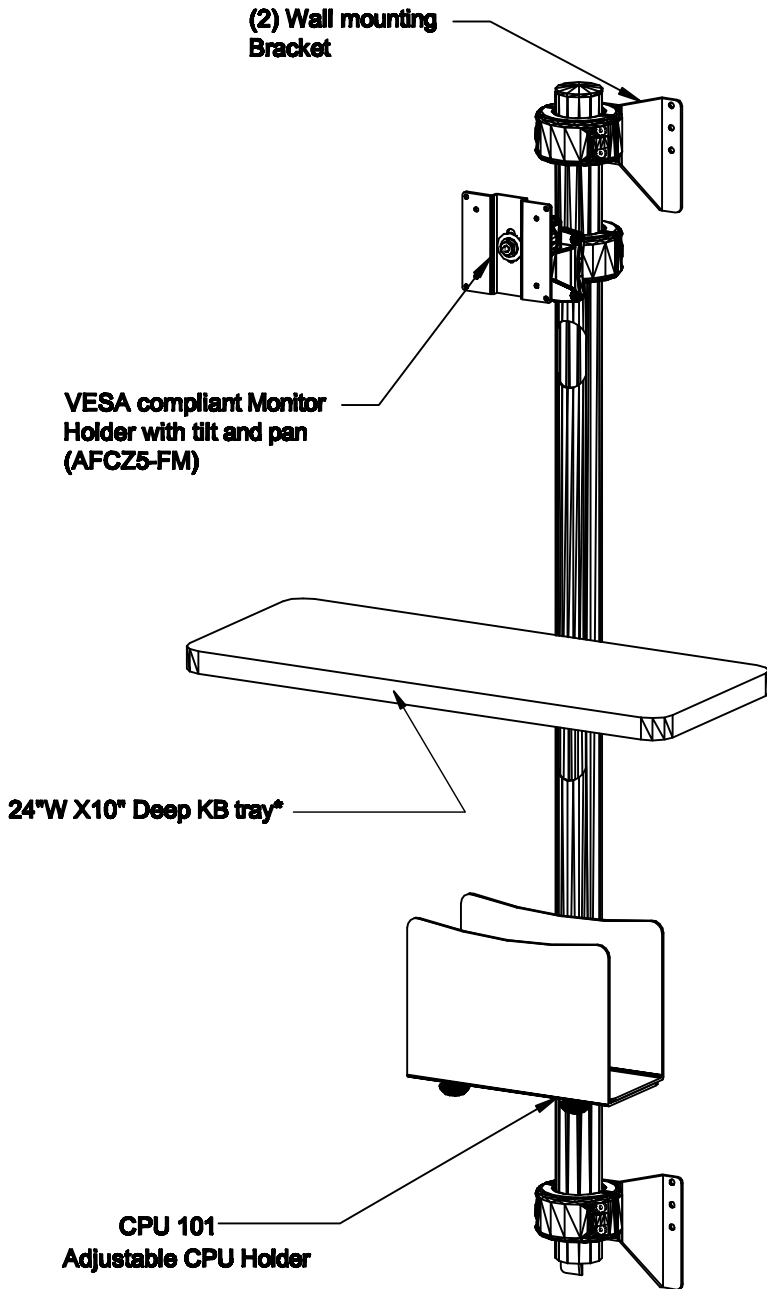
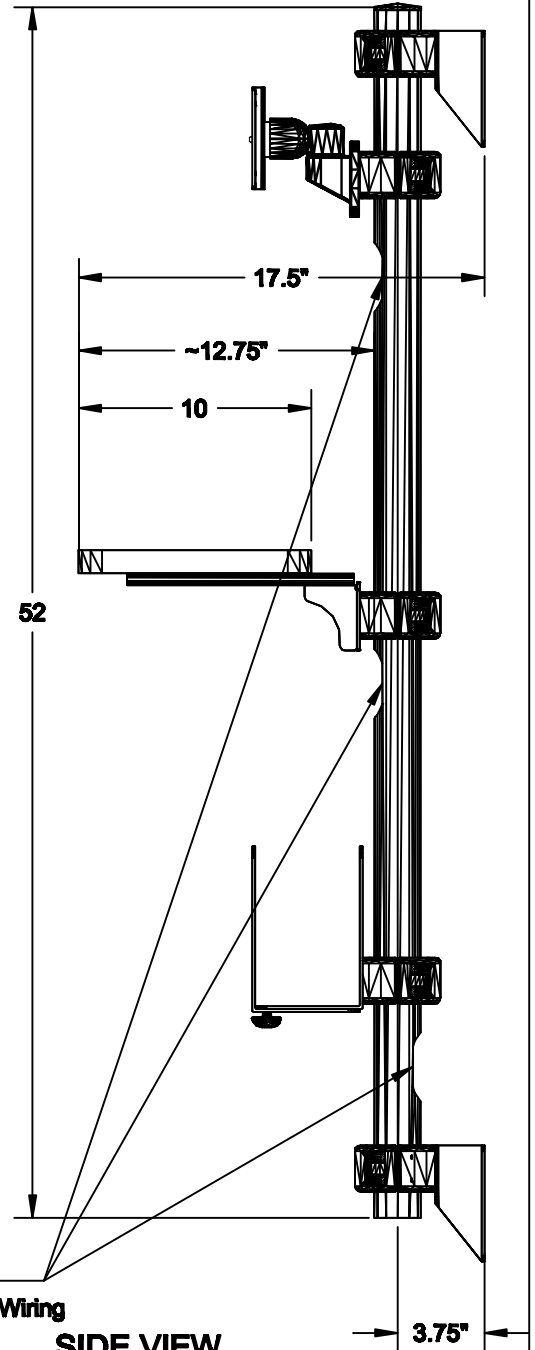


Every single item is height adjustable and can be rotated

KB tray non retractable and non foldable



ISOMETRIC VIEW



SIDE VIEW

Ø2" Pole
w/ (3) Cutouts for Wiring

MATERIAL :	DRAWN BY: VGM	DATE: 08/30/11	DESCRIPTION :
	APPROVED		Wall Mount Pole
TOLERANCES UNLESS OTHERWISE SPECIFIED FRACTIONAL ±1/64 2 PLG. DEC. ±.01 3PLG. DEC. ±.001 ANGULAR FINISH	ENG:		SKU NUMBER :
	MFG:		772376
	QA:		PATH :
	SCALE : N.T.S.	SHEET : 1 OF 1	VIn.AssyWALL MOUNTS(WMPLI)
			WMPL_52_F_KB_C_001b
			REV: SIZE
			. A