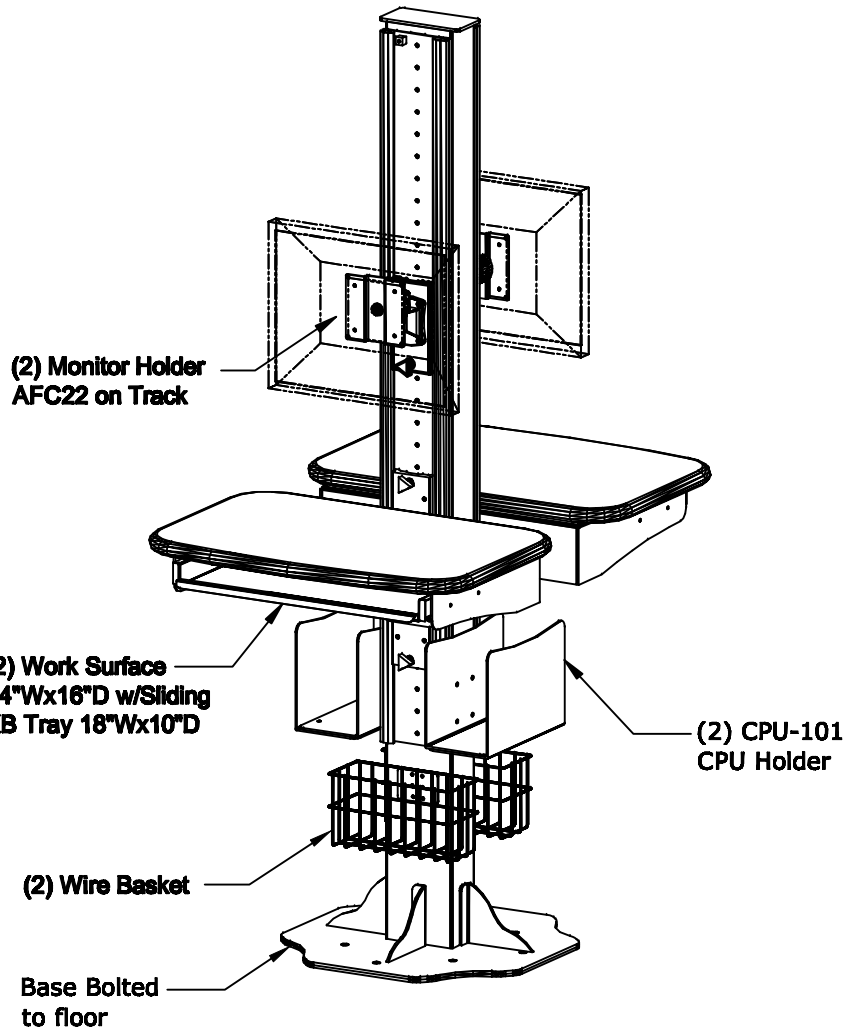
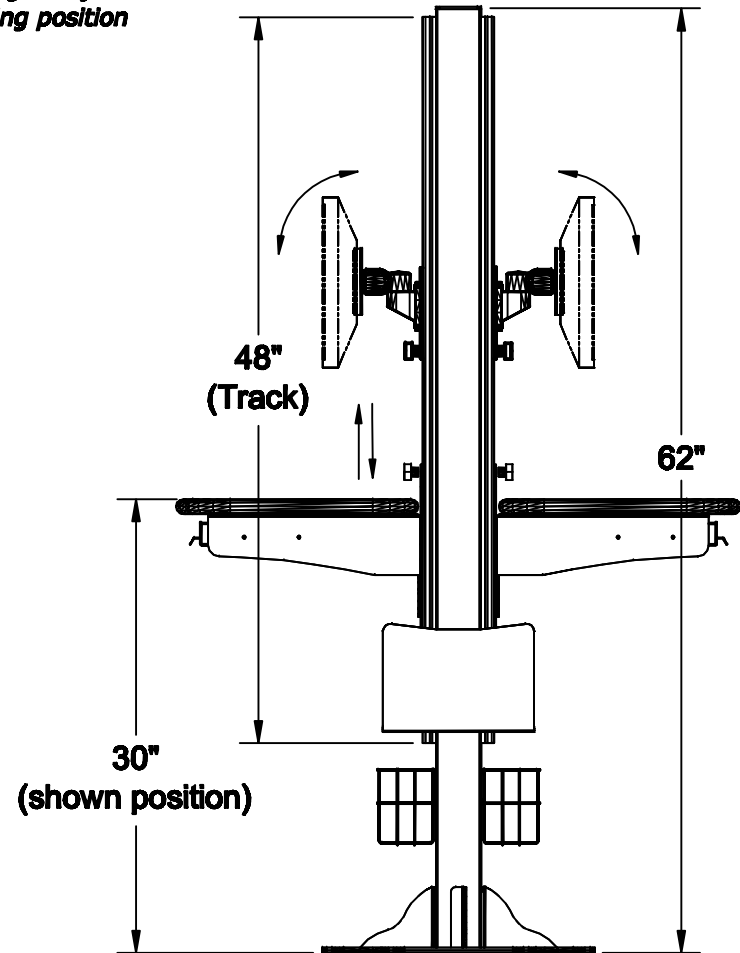


Monitor Holder and Worksurface
Manually height adjustable from
sit to standing position



ISOMETRIC VIEW



SIDE VIEW

Base Footprint: 18"x18"

NOTES :

All items on Track are individually height adjustable along the track

MATERIAL :
AS NOTED ABOVE

TOLERANCES UNLESS OTHERWISE SPECIFIED
FRACTIONAL ±1/64
2 PLC. DEC. ±.01
3PLC. DEC. ±.001
ANGULAR ±.5°
FINISH √

DRAWN BY: PR/BD

DATE: 06/04/13

DESCRIPTION :

FLOOR MOUNT

A P P R O V E D

SKU NUMBER :
772323

PATH :
Fin.Assy\Carts\System\Floor Post\Floor Mount

ENG :

MFG :

QA :

SCALE :

SHEET : 1 OF 1

PDF NAME:
FM62_2F_2WS2416_2KB_2C_2WB_01

REV: SIZE
A